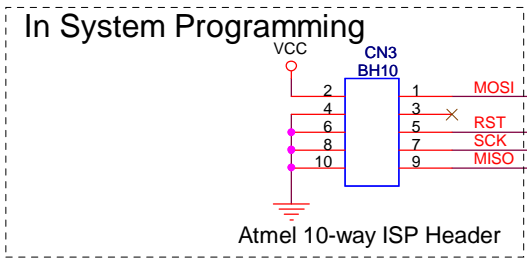
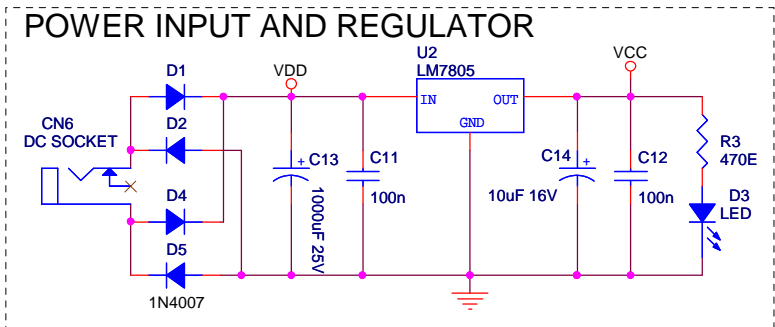


RS232

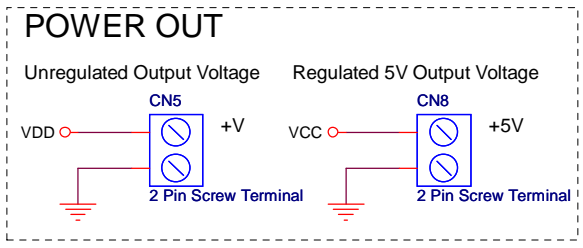


In System Programming

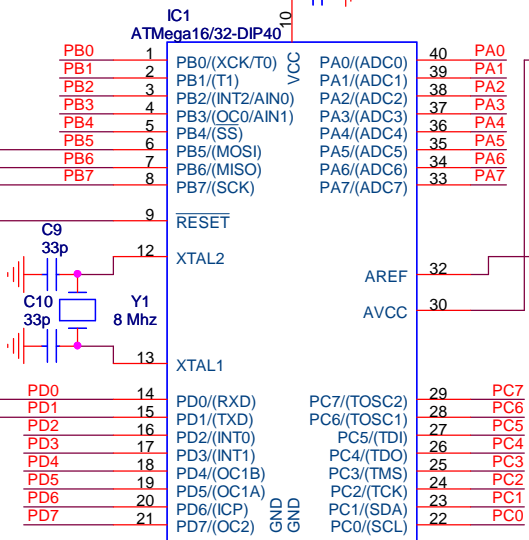
Atmel 10-way ISP Header



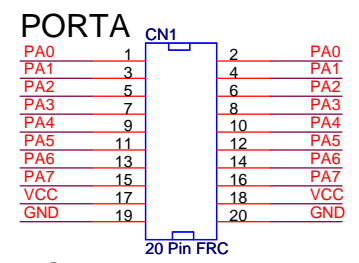
POWER INPUT AND REGULATOR



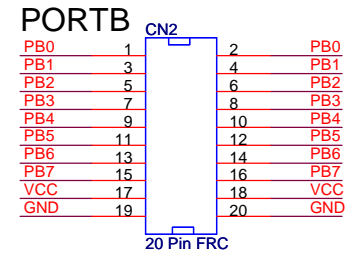
POWER OUT



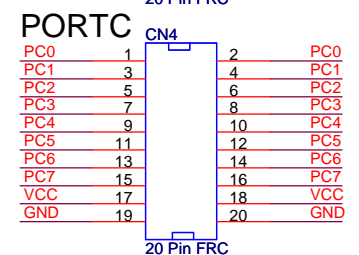
IC1
ATmega16/32-DIP40



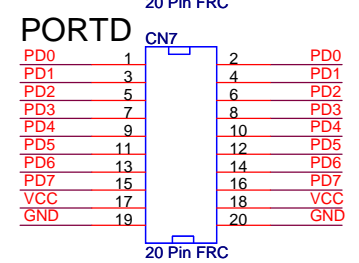
PORTA



PORTB

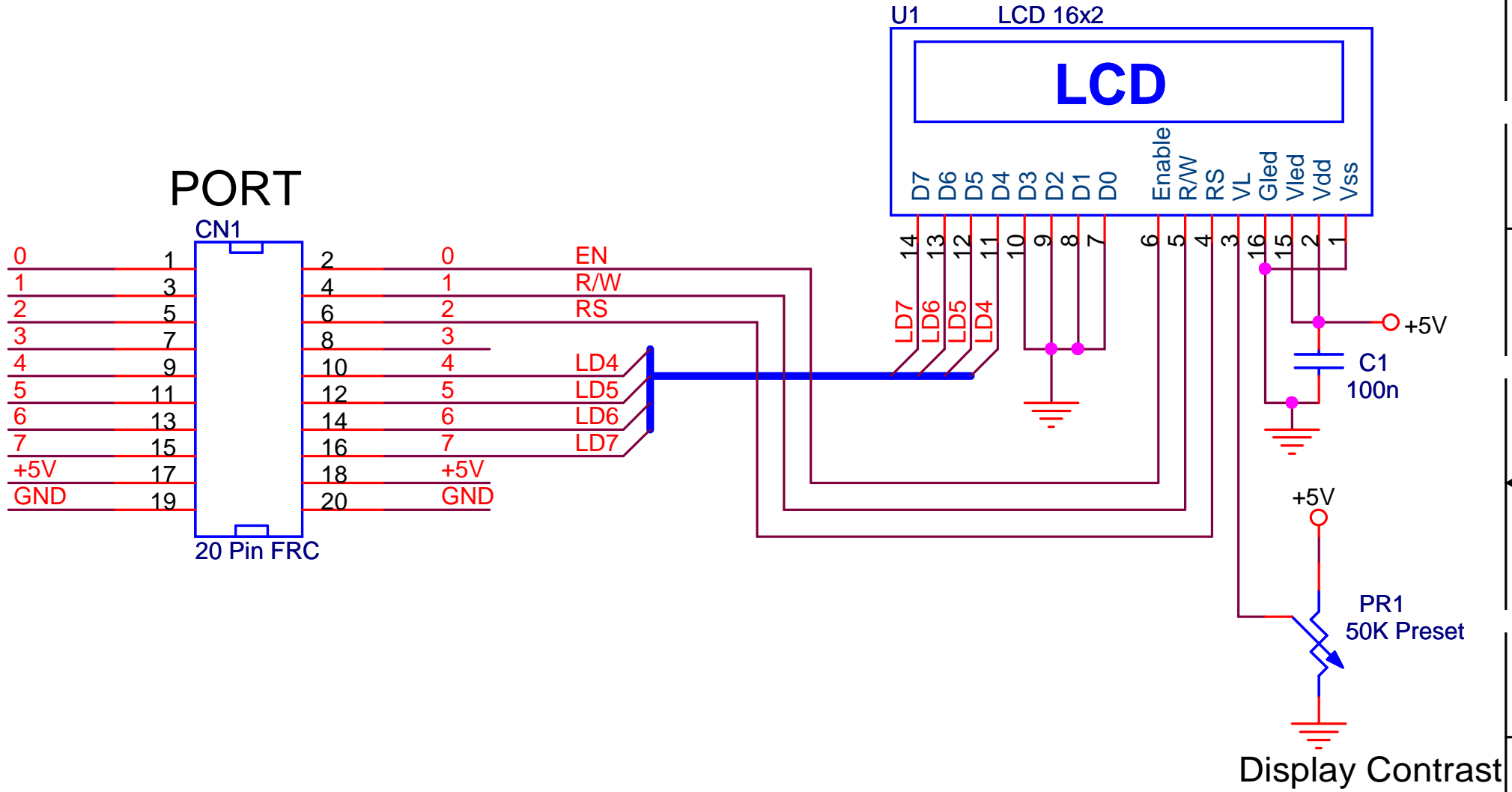


PORTC

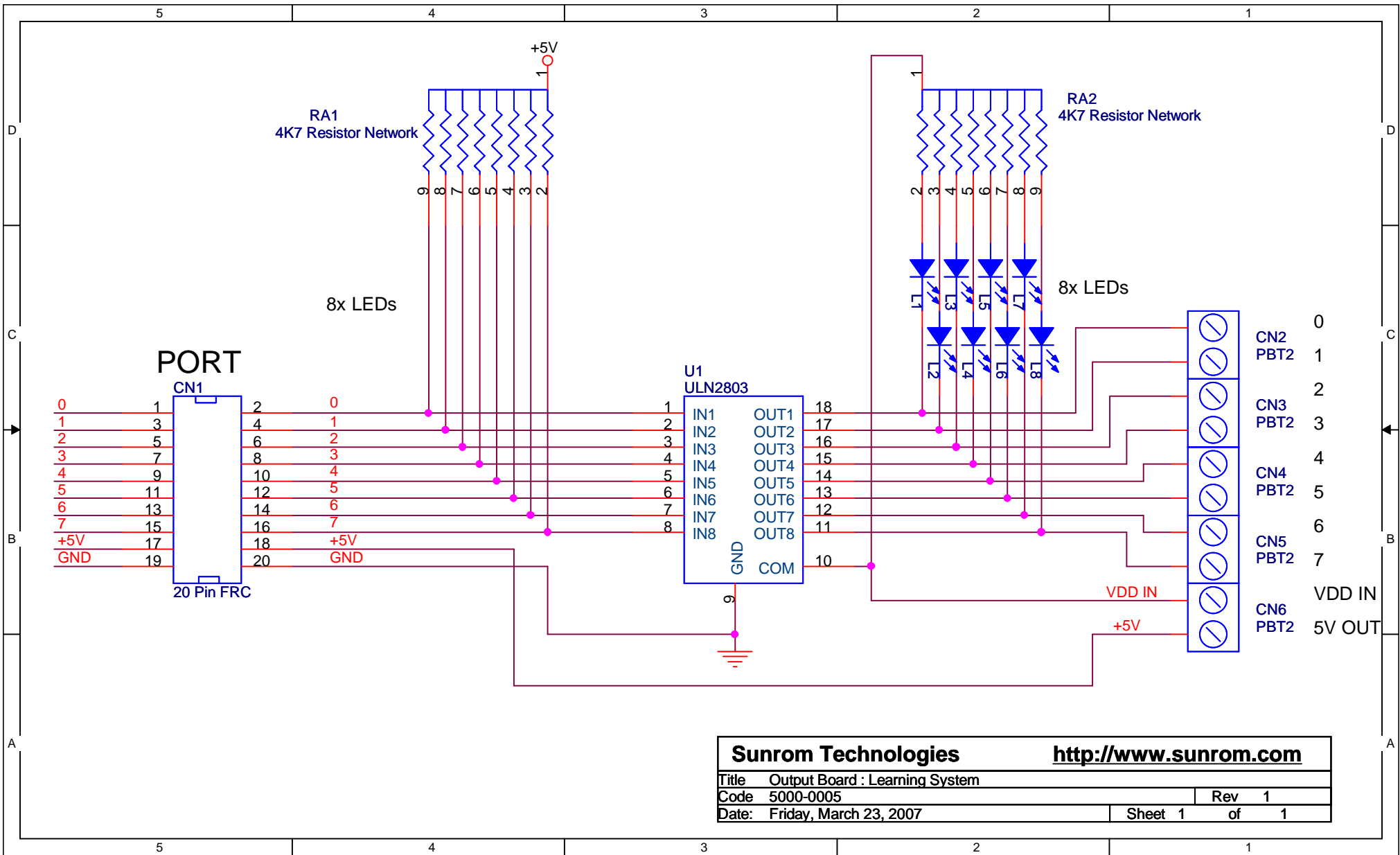


PORTD

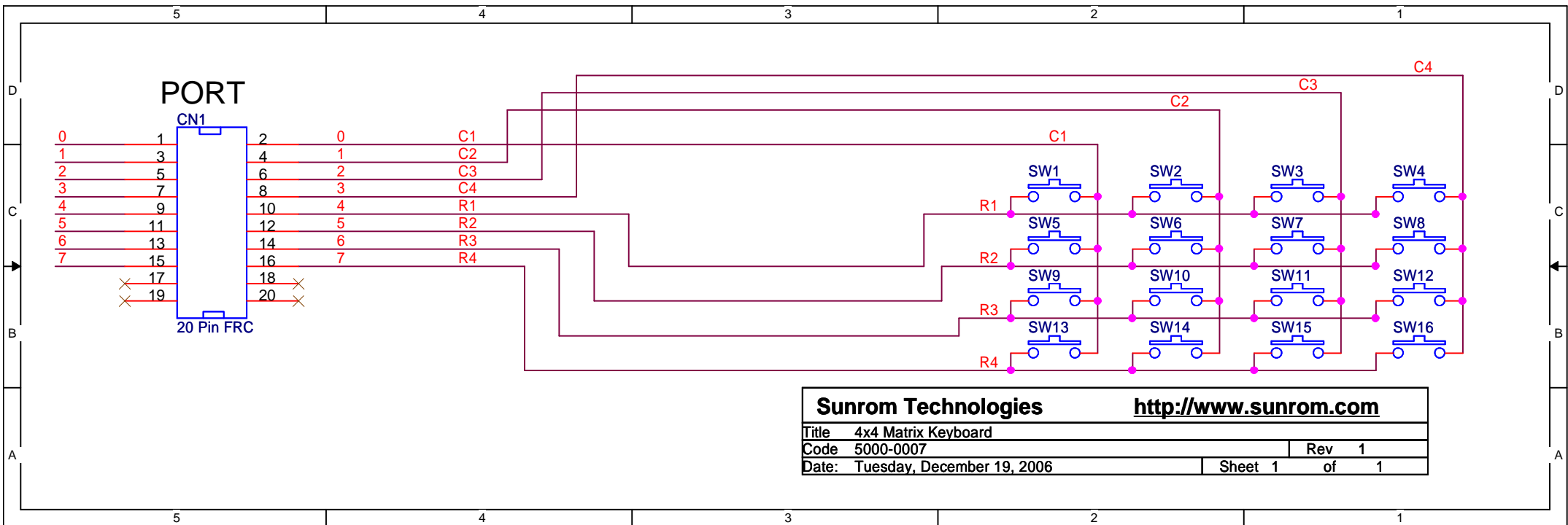
Sunrom Technologies		http://www.sunrom.com	
Title AVR Development Board			
Code 1002-3472			
Date: Tuesday, November 28, 2006		Sheet 1	of 1
		Rev 2	



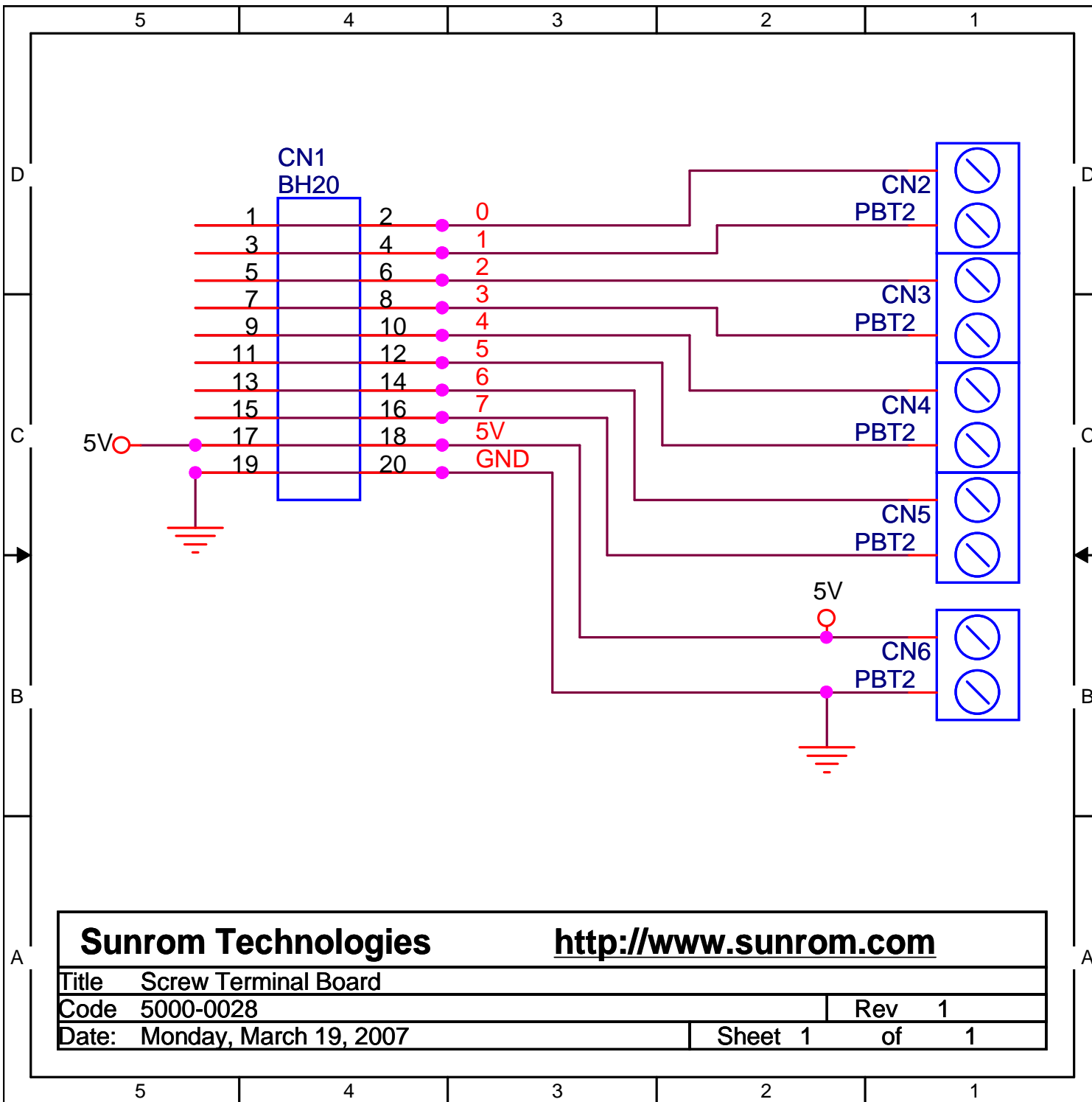
Sunrom Technologies		http://www.sunrom.com	
Title 4 Bit LCD Interface			
Code 5000-0003			Rev 1
Date: Tuesday, December 19, 2006		Sheet 1	of 1



Sunrom Technologies		http://www.sunrom.com	
Title Output Board : Learning System			
Code 5000-0005		Rev 1	
Date: Friday, March 23, 2007		Sheet 1 of 1	



Sunrom Technologies		http://www.sunrom.com	
Title 4x4 Matrix Keyboard			
Code 5000-0007			Rev 1
Date: Tuesday, December 19, 2006		Sheet 1	of 1



Sunrom Technologies

<http://www.sunrom.com>

Title Screw Terminal Board

Code 5000-0028

Rev 1

Date: Monday, March 19, 2007

Sheet 1 of 1